

**FEATURES**

**BENEFITS**

- FLAG INDICATOR:** SHOWS RELAY STATUS IN MANUAL OR POWERED CONDITION.
- L.E.D. STATUS LAMP:** SHOWS COIL "ON" OR "OFF" STATUS. IDEAL IN LOW LIGHT CONDITIONS.
- PUSH BUTTON:** ALLOWS FOR MANUAL OPERATION OF RELAY WITHOUT THE NEED FOR COIL POWER. IDEAL FOR FIELD SERVICE PERSONNEL TO TEST CONTROL CIRCUITS.
- LOCK-DOWN DOOR:** WHEN ACTIVATED, HOLDS PUSH BUTTON AND CONTACTS IN THE OPERATE POSITION. EXCELLENT FOR ANALYZING CIRCUIT PROBLEMS.
- FINGER-GRIP COVER:** ALLOWS OPERATOR TO REMOVE RELAYS FROM SOCKETS MORE EASILY THAN CONVENTIONAL RELAYS.
- I.D. TAG/WRITE LABEL:** USED FOR IDENTIFICATION OF RELAYS IN MULTI-RELAY CIRCUITS.
- COVER ADAPTERS:** DIN RAIL FLANGE ADAPTER OR TOP/BOTTOM FLANGE ADAPTER, ALLOWS THE 784 RELAY TO BE DIRECT MOUNTED TO A DIN RAIL OR PANEL.

**GENERAL SPECIFICATIONS**

**COIL**

- Pull-in Voltage: 75% of nominal voltage or less for DC coils, 80% of nominal voltage or less for AC coils
- Dropout Voltage: DC-10% min. AC-30% min. of nominal voltage or more
- Max. Voltage: 110%
- Resistance: ±10% measured @ 25°C
- Coil Power: 1.5 watts DC, 2.0 VA (60Hz) AC @ 25°C (4PDT)
- Insulation System: Class "B" (130°C per UL standard 1446)
- Max. Coil Dissipation: 3.0 watts DC, 3.4 VA (60Hz) AC. @ 25°C
- Duty: Continuous.

**CONTACTS**

- Contact Material: Solid silver cadmium oxide (gold flashed)
- Contact Rating: 15 amps, 110 - 120 VAC 50/60Hz, 12 amps, 28 VDC (30 amps max)  
12 amps, 220 - 277 VAC 50/60Hz ( 20 amps max)  
1/2Hp @ 120 VAC, 3/4 Hp @ 250 VAC, B300 pilot duty
- Contact Resistance: 50 milliohms maximum initial resistance

**DIELECTRIC STRENGTH**

- Contacts to Coil: 2500 V rms
- Across open Contacts: 1000 V rms
- Pole to Pole: 2500 V rms
- Contacts to Frame: 2500 V rms
- Insulation Resistance: 100 megohms min. @ 500 VDC

**TEMPERATURE**

- Operating: -30°C to +70°C
- Storage: -30°C to +105°C

**VIBRATION RESISTANCE**

- Functional: 6 g's, 10 to 55 Hz (0.6 mm double amplitude)

**SHOCK RESISTANCE**

- Functional: 10 g's

**LIFE EXPECTANCY**

- Electrical: 150,000 operations @ rated resistive load
- Mechanical: 10,000,000 operations @ no load

**MISCELLANEOUS**

- Operating Position: Any
- Insulation Material: Molded plastic
- Enclosure: Polycarbonate dust cover
- Weight: 80 grams approx.



STANDARD



STANDARD COVER WITH FLANGE ADAPTER ON TOP 16-784C1 SEE ORDERING CODE

**MAY ALSO BE ORDERED SEPARATELY**



STANDARD COVER WITH FLANGE ADAPTER ON BOTTOM 16-784C1A SEE ORDERING CODE

**MAY ALSO BE ORDERED SEPARATELY**



STANDARD COVER WITH DIN ADAPTER 16-784C SEE ORDERING CODE

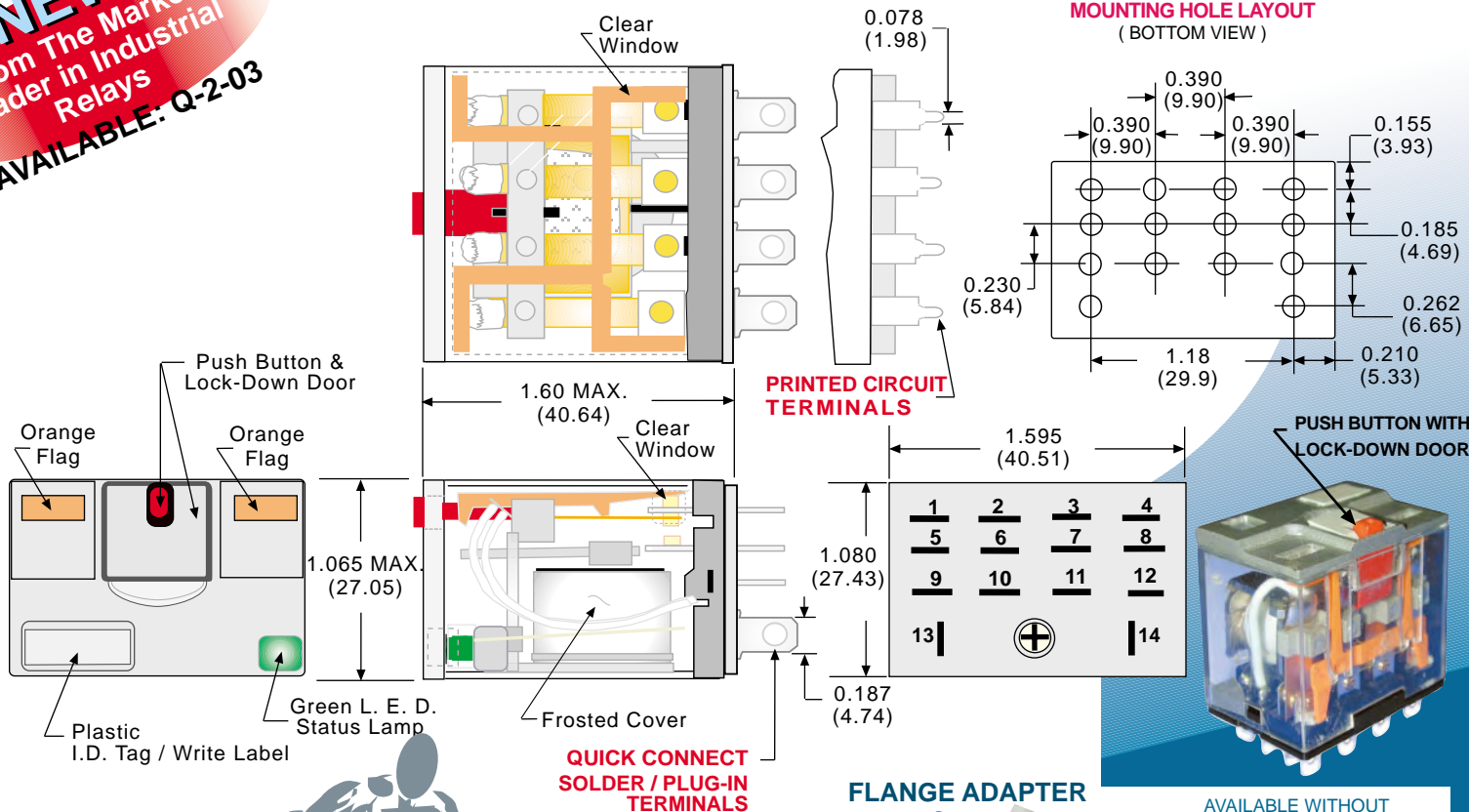
**MAY ALSO BE ORDERED SEPARATELY**

**Mating Sockets**  
70-784D-1: SCREW/DIN  
See section, 8 page 22

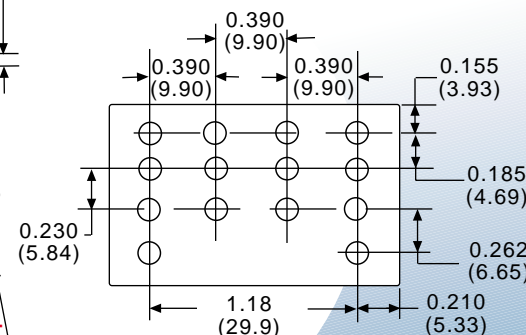


**NEW**  
From The Market  
Leader in Industrial  
Relays  
AVAILABLE: Q-2-03

**OUTLINE DIMENSIONS**  
DIMENSIONS SHOWN IN INCHES & (MILLIMETERS).



**PRINTED CIRCUIT MOUNTING HOLE LAYOUT (BOTTOM VIEW)**



AVAILABLE WITHOUT  
LOCK-DOWN DOOR: CODE "M"



BI - POLAR  
L.E.D. STATUS LAMP  
ALLOWS FOR REVERSE  
POLARITY APPLICATIONS

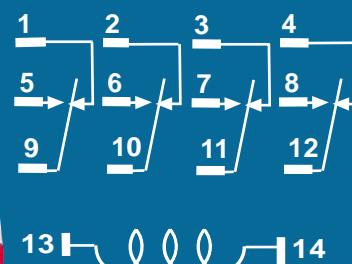
**FLANGE ADAPTER 16-784C1**



**DIN ADAPTER 16-784C**



**WIRING DIAGRAM (VIEWED FROM PIN END)**



**COIL MEASURED @ 25°C**

STANDARD PART NUMBERS	NOMINAL INPUT VOLTAGE	NOMINAL RESISTANCE (OHMS)
<b>AC OPERATED - SOLDER/PLUG-IN, 15 AMP</b>		
784XDXM4L-24A	24 VAC, 50/60 Hz	84.5 Ω
784XDXM4L-120A	120 VAC, 50/60 Hz	2220 Ω
784XDXM4L-240A	240 VAC, 50/60 Hz	9120 Ω
<b>DC OPERATED - SOLDER/PLUG-IN, 15 AMP</b>		
784XDXM4L-12D	12 VDC	96 Ω
784XDXM4L-24D	24 VDC	380 Ω
784XDXM4L-110D	110 VDC	7340 Ω
<b>AC OPERATED - PRINTED CIRCUIT, 15 AMP</b>		
784XDXTM4L-120A	120 VAC, 50/60 Hz	2220 Ω
<b>DC OPERATED - PRINTED CIRCUIT, 15 AMP</b>		
784XDXTM4L-12D	12 VDC	96 Ω
784XDXTM4L-24D	24 VDC	388 Ω

**ORDERING CODE FOR RELAYS**

